

Reduction gear
Illustrated Spare Parts Catalogue
078.505.9.0100.00PC
Book 1

1.1 Contents

Product	Catalogue	Volume
078.505.9.0000.00	078.505.9.0100.00PC	1

Issue date	3
9/1/2015	

Contents

Section	Title	Part number	Page
	078.505.9.0100.00PC		
1.1	Contents		3
1.2	Introduction		5
1.3	Reduction gear	078.505.9.0100.00	9
1.4	Index		17

Product	Catalogue	Volume
078.505.9.0000.00	078.505.9.0100.00PC	1

Issue date	
9/1/2015	4

1.2 Introduction

Product	Catalogue	Volume
078.505.9.0000.00	078.505.9.0100.00PC	1

Issue date	5
9/1/2015	

Introduction

Composition of documentation

Documentation is based on products from LOODSMAN:PLM demo database and includes the following separate documents:

1. Title page
2. Contents
3. Introduction
4. 078.505.9.0100.00
5. Index

Purpose and contents of the Illustrated Spare Parts Catalogue

The Illustrated Spare Parts Catalogue is intended for identification of the units and parts, as well as for making out orders for spare parts, required for all levels of repair. The Illustrated Spare Parts Catalogue includes all 078.505.9.0100.00 assemblies (up to unrepairable), their parts and components.

Illustrated Spare Parts Catalogues of separate systems of the 078.505.9.0100.00 follow volume Contents and Introduction. Each system begins with dividing title page, which gives the name of the assembly. All pages of the Catalogues have the footer in the left bottom corner and page number in the right bottom corner. The footer and page number allow allocating the page in Documentation.

Illustrated Spare Parts Catalogue of each system contains drawings and specification tables describing system's units and parts.

The Illustrated Spare Parts Catalogue of a system begins with brief description of the system purpose and the consequent drawings and specifications illustrate consecutively all disassembled system components down to non-disassembled units.

Units and parts shown on the drawings have reference numbers.

The specification table includes necessary information related to all units and parts, which have reference numbers in the drawings. The table consists of the following columns (from left to right):

1. Picture number
2. Reference number on the drawing
3. Part number
4. Description

Product	Catalogue	Volume
078.505.9.0000.00	078.505.9.0100.00PC	1

Issue date	6
9/1/2015	

Introduction

5. Quantity per assembly unit
6. Levels of repair
7. Note

“Quantity per assembly unit” – number of units, or parts of this position in units given in all figures on that page. If under quantity figure it is indicated “max” that means maximum number of parts needed to provide necessary clearances.

Repairable assemblies included into assembly have letter “R” in the “Levels of repair” column.

Product	Catalogue	Volume
078.505.9.0000.00	078.505.9.0100.00PC	1

Issue date	7
9/1/2015	



Product	Catalogue	Volume
078.505.9.0000.00	078.505.9.0100.00PC	1

Issue date	8
9/1/2015	

**1.3 Reduction gear
(078.505.9.0100.00)**

Product	Catalogue	Volume
078.505.9.0000.00	078.505.9.0100.00PC	1

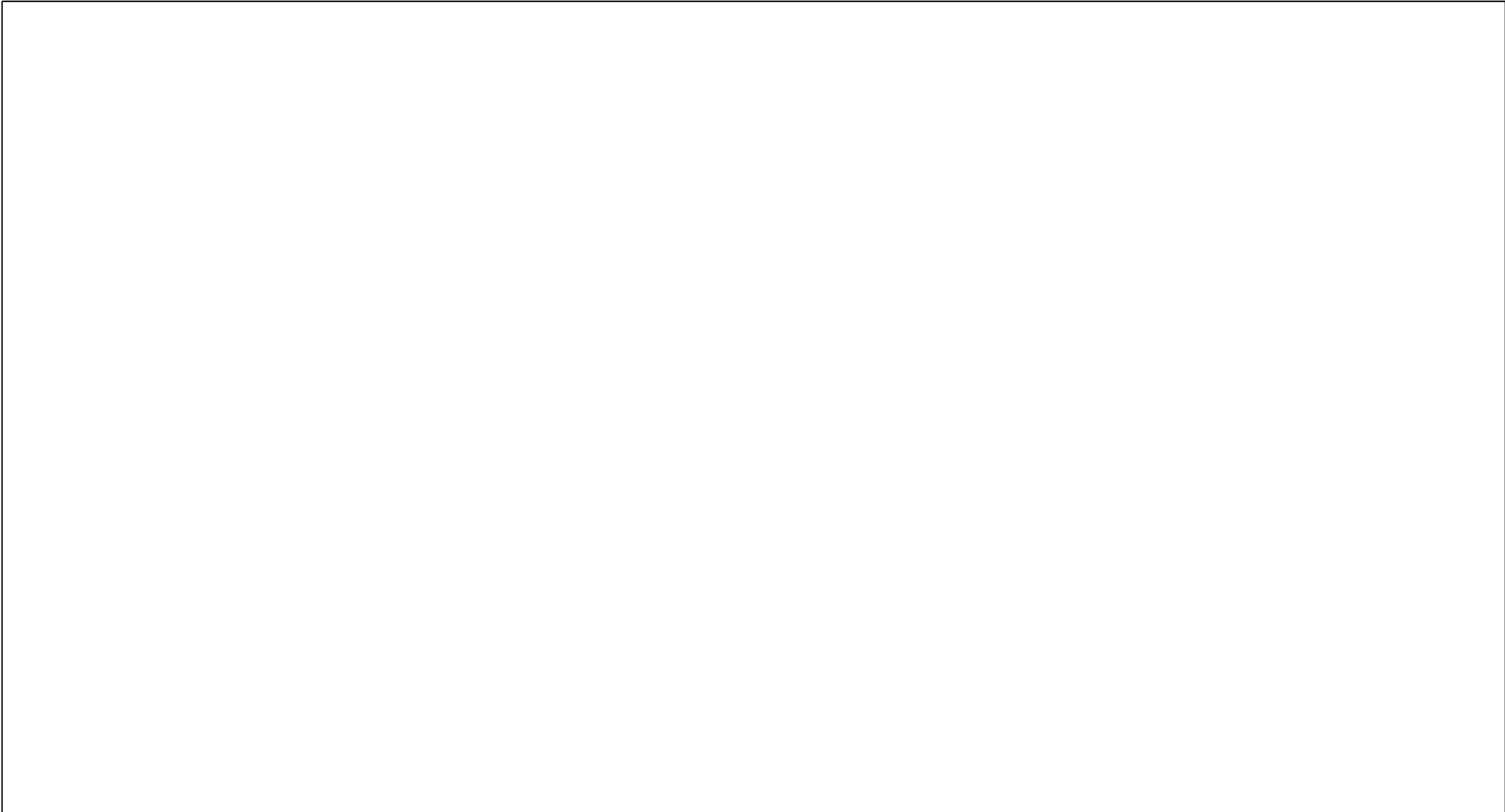
Issue date	9
9/1/2015	

Reduction gear

A reduction gear is designed for conversion and transfer of torque supplied from the hydraulic motor.

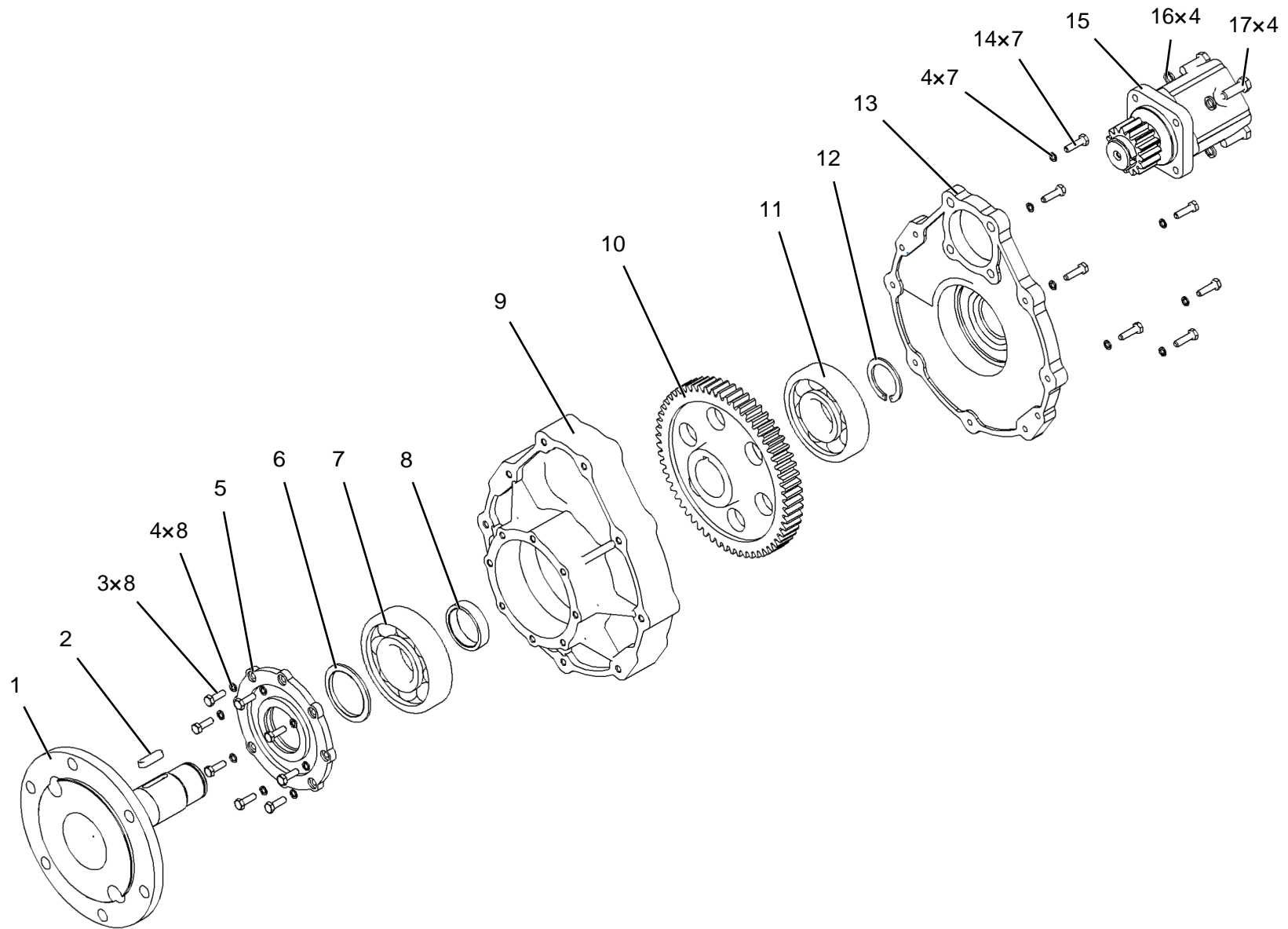
Product	Catalogue	Volume
078.505.9.0000.00	078.505.9.0100.00PC	1

Issue date	10
9/1/2015	



Product	Catalogue	Volume
078.505.9.0000.00	078.505.9.0100.00PC	1

Issue date	11
9/1/2015	



Picture 1.3.1

Reduction gear (078.505.9.0100.00)

Product	Catalogue	Volume
078.505.9.0000.00	078.505.9.0100.00PC	1

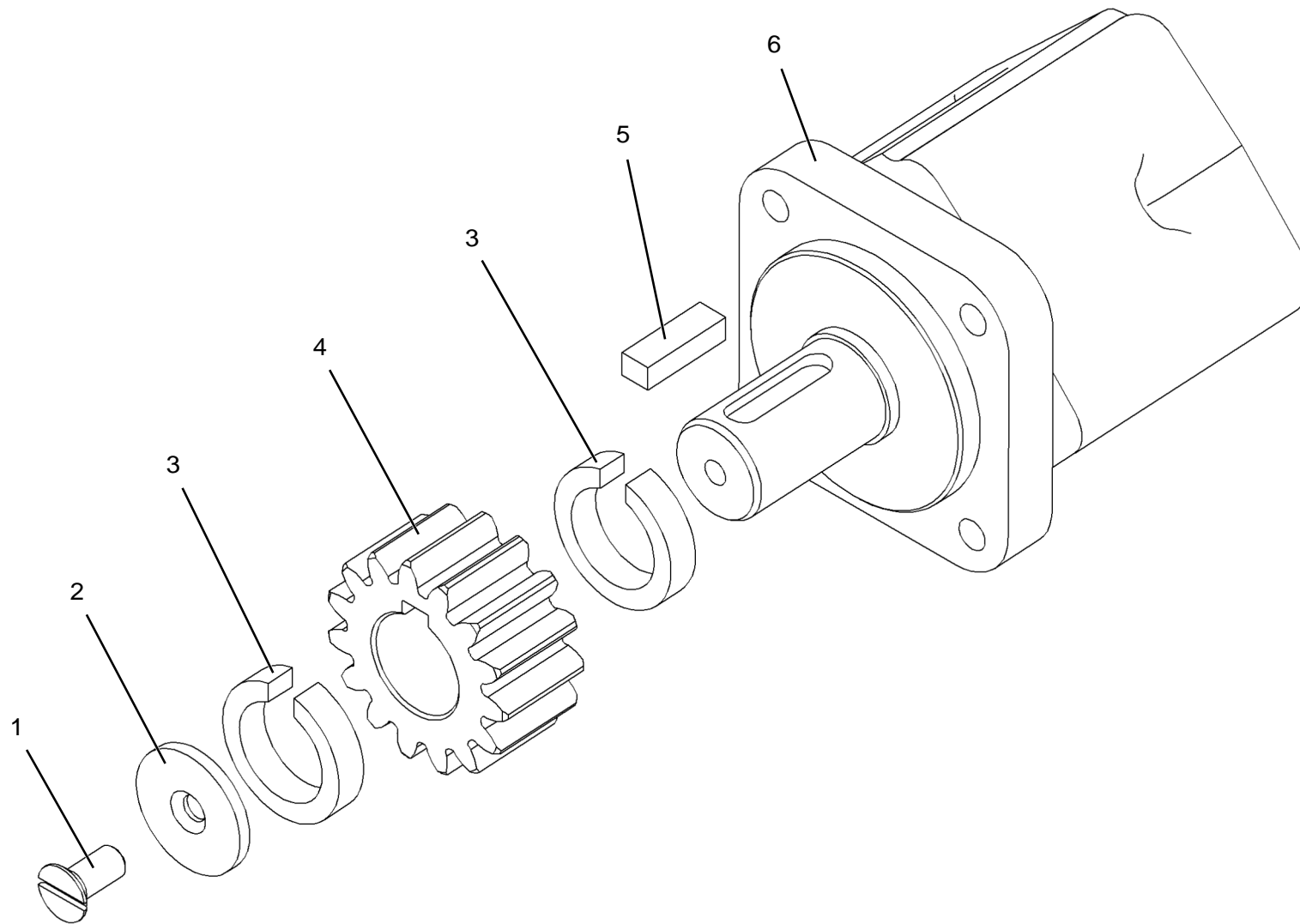
Issue date	12
9/1/2015	

Reduction gear (078.505.9.0100.00)

Picture	Ref.	Part number	Description	Quantity per assembly unit	Levels of repair	Note
1.3.1	1	078.505.0.0101.00	Shaft	1		
	2	10x8x40 GOST 23360-78	Key	1	R	
	3	M8-6gx25.109.30XGSA GOST 7798-70	Bolt	8		
	4	8L BrKMc3-1 GOST 6402-70	Washer	15		
	5	078.505.0.0106.00	Cover of body	1		
	6	078.505.0.0110.00	Seal, oil	1	R	
	7	411 GOST 8338-75	Bearing	1	R	
	8	078.505.0.0107.00	Ring	1		
	9	078.505.0.0104.00	Body	1		
	10	078.505.0.0103.00	Gear-wheel	1		
	11	410 GOST 8338-75	Bearing	1	R	
	12	V50 GOST 13940-86	Ring	1	R	
	13	078.505.0.0105.00	Cover	1		
	14	M8-6gx30.109.30XGSA GOST 7798-70	Bolt	7		
	15	078.505.9.0120.00	Motor assembly	1		
	16	12 BrKMc3-1 GOST 6402-70	Washer	4		
	17	M12-6gx35.109.30XGSA (S18) GOST 7798-70	Bolt	4		

Product	Catalogue	Volume
078.505.9.0000.00	078.505.9.0100.00PC	1

Issue date	
9/1/2015	13



Product	Catalogue	Volume
078.505.9.0000.00	078.505.9.0100.00PC	1

Picture 1.3.2
 Motor assembly (078.505.9.0120.00)

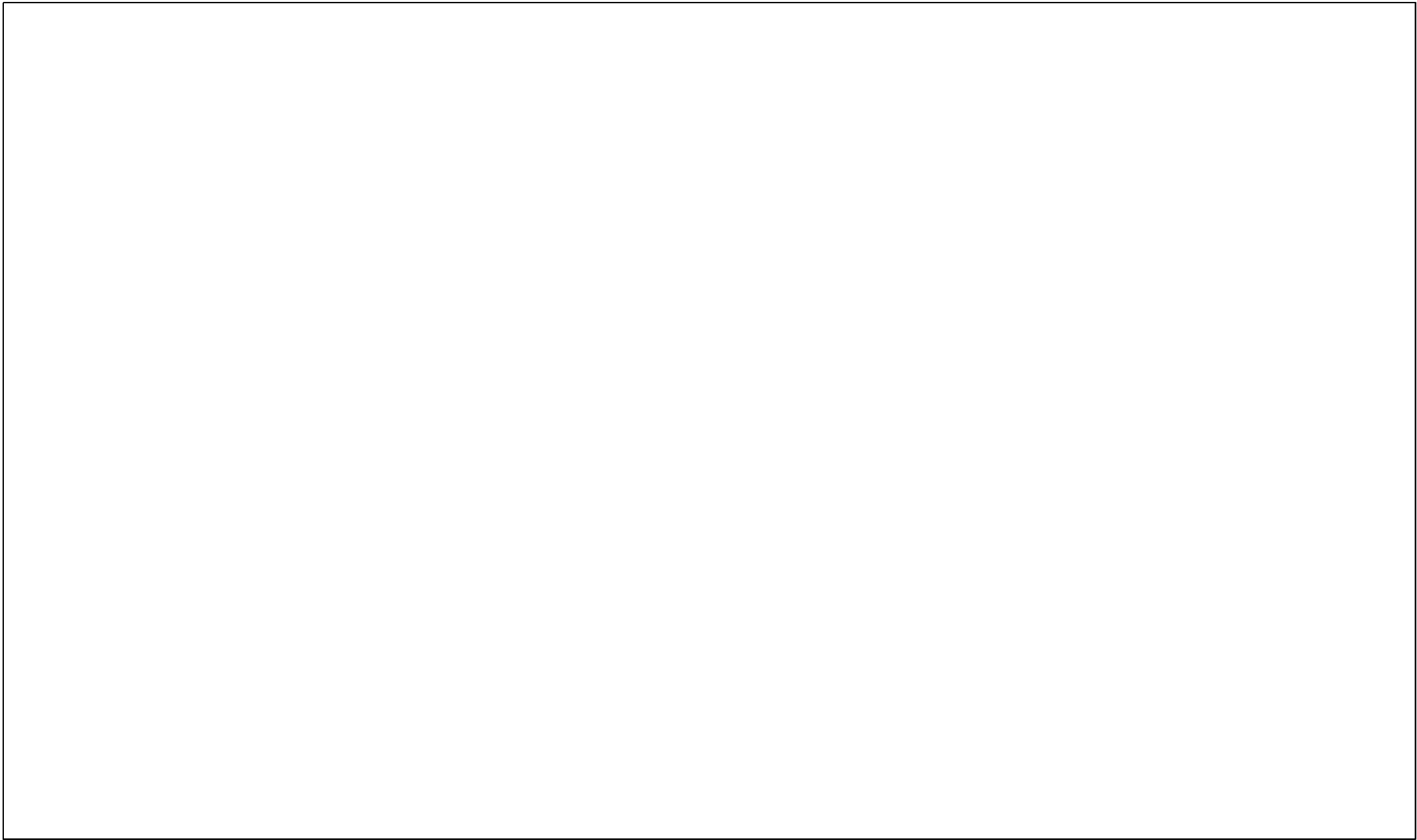
Issue date	Page
9/1/2015	14

Motor assembly (078.505.9.0120.00)

Picture	Ref.	Part number	Description	Quantity per assembly unit	Levels of repair	Note
1.3.2	1	A2.M8x1-6gx16.109.30XGSA GOST 17475-80	Screw	1		
	2	078.505.0.0111.00	Washer	1		
	3	078.505.0.0108.00	Ring	2		
	4	078.505.0.0102.00	Gear	1		
	5	10x8x32 GOST 23360-78	Key	1	R	
	6	MGP-315.00.00 TU 23.2.1588-8	Hydraulic motor	1	R	

Product	Catalogue	Volume
078.505.9.0000.00	078.505.9.0100.00PC	1

Issue date	
9/1/2015	15



Product	Catalogue	Volume
078.505.9.0000.00	078.505.9.0100.00PC	1

Issue date	16
9/1/2015	

1.4 Index

Product	Catalogue	Volume
078.505.9.0000.00	078.505.9.0100.00PC	1

Issue date	17
9/1/2015	

Index

Part number	Description	Picture	Ref.	Quantity per product
410 GOST 8338-75	Bearing	1.3.1	11	1
411 GOST 8338-75	Bearing	1.3.1	7	1
078.505.0.0104.00	Body	1.3.1	9	1
M12-6gx35.109.30XGSA (S18) GOST 7798-70	Bolt	1.3.1	17	4
M8-6gx25.109.30XGSA GOST 7798-70	Bolt	1.3.1	3	8
M8-6gx30.109.30XGSA GOST 7798-70	Bolt	1.3.1	14	7
078.505.0.0105.00	Cover	1.3.1	13	1
078.505.0.0106.00	Cover of body	1.3.1	5	1
078.505.0.0102.00	Gear	1.3.2	4	1
078.505.0.0103.00	Gear-wheel	1.3.1	10	1
MGP-315.00.00 TU 23.2.1588-8	Hydraulic motor	1.3.2	6	1
10x8x32 GOST 23360-78	Key	1.3.2	5	1
10x8x40 GOST 23360-78	Key	1.3.1	2	1
078.505.9.0120.00	Motor assembly	1.3.1	15	1
078.505.0.0107.00	Ring	1.3.1	8	1
078.505.0.0108.00	Ring	1.3.2	3	2
V50 GOST 13940-86	Ring	1.3.1	12	1
A2.M8x1-6gx16.109.30XGSA GOST 17475-80	Screw	1.3.2	1	1
078.505.0.0110.00	Seal, oil	1.3.1	6	1
078.505.0.0101.00	Shaft	1.3.1	1	1
078.505.0.0111.00	Washer	1.3.2	2	1
12 BrKMc3-1 GOST 6402-70	Washer	1.3.1	16	4
8L BrKMc3-1 GOST 6402-70	Washer	1.3.1	4	15

Product	Catalogue	Volume
078.505.9.0000.00	078.505.9.0100.00PC	1

Issue date	18
9/1/2015	